

# *Uni Flip Tables*

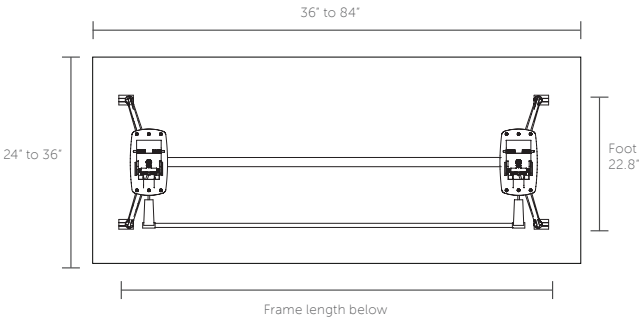
The innovative Uni Flip table supports modern work dynamics as a superb choice for conference, training, meeting and catering facilities as well as quickly meeting the demand for extra working space for projects.



# UNI FLIP TABLE



## FRAME SIZE



Total Frame Length
CA-FWFLRAIL50 = 32"
CA-FWFLRAIL80 = 43"
CA-FWFLRAIL110 = 55"
CA-FWFLRAIL140 = 67"

**STANDARD FEATURES**

- Silver powdercoat posts, frames, rail & pullbars, black castors
- White worksurfaces are in stock. Other finish options are available.
- Locking Castors

**STANDARD FRAME SIZES ACCOMMODATE WORKSURFACE OF**

36" - 96" length x 24" - 36" width

**STANDARD WORKTOP SIZES**

48" w x 24" d x 28.75" h

48" w x 30" d x 28.75" h

60" w x 24" d x 28.75" h

60" w x 30" d x 28.75" h

72" w x 24" d x 28.75" h

72" w x 30" d x 28.75" h

72" w x 36" d x 28.75" h



Uni Flip Silver Powdercoat

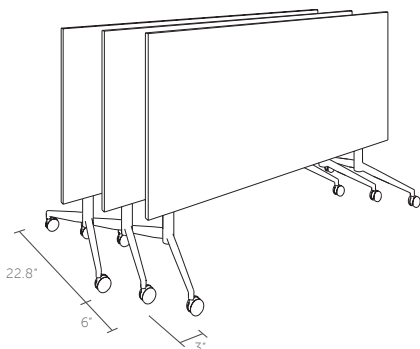


Connecting tables with tight joins is made easy with the very secure and simple-to-operate metal links.



Showing Uni Flip Silver 72"x 30" with mixed colour Game Seating.

**NESTING DIMENSIONS**





TORONTO + 416 441 9898

**WORKSPACE** 



ANVIL



AXIS



AGILE



STORAGE  
& RECEPTION



MODULUS



MODULUS  
FLIP



UNI FLIP